



CCS IMAGE GROUP

"BUILDING OUTSIDE THE BOX"

STANDARD DETAILS

ACM WALL SECTIONS

US PATENTS 10,662,698 AND 10,982,483 ALONG WITH OTHER PATENTS PENDING
© 2021 CLADDING AND COMPONENT SOLUTIONS, LLC. THE INFORMATION CONTAINED IN THIS DOCUMENT, BE IT IN PRINTED OR ELECTRONIC FORM, IS PROTECTED UNDER UNITED STATES COPYRIGHT LAWS. ALL RIGHTS ARE HEREBY RESERVED. CCS BARRACUDA AND CCS ECONO-CLAD ARE PROPRIETARY SYSTEMS AND ARE PROTECTED BY U.S. AND INTERNATIONAL PATENT LAWS



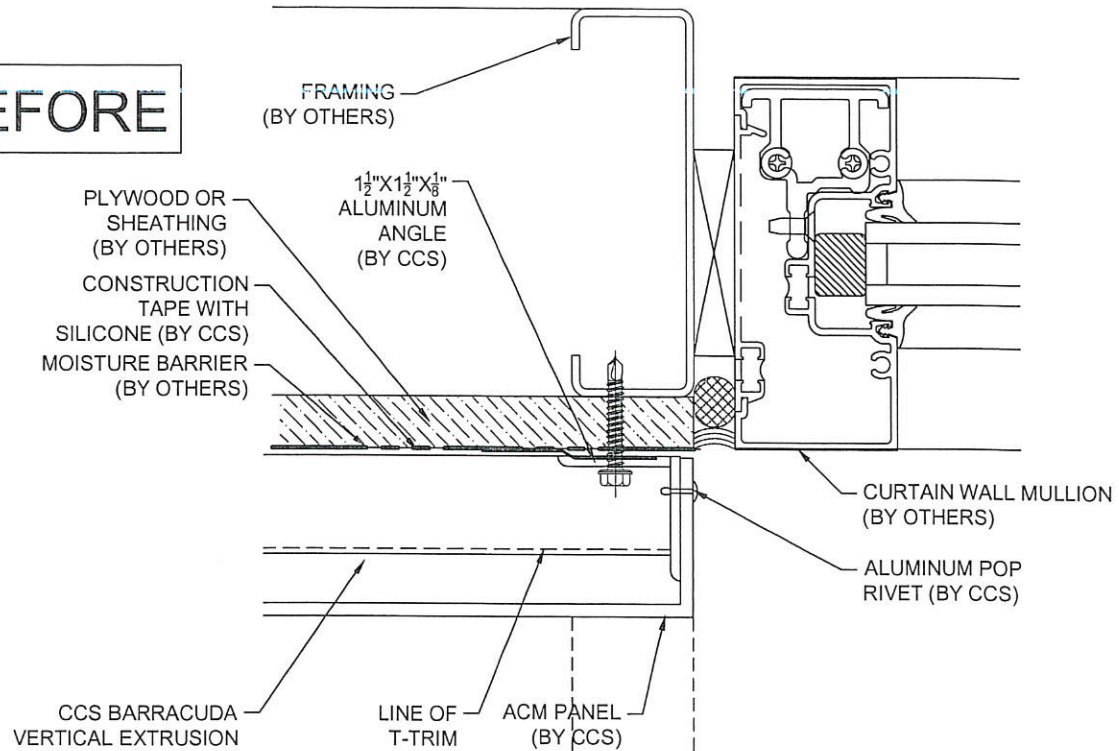
CCS IMAGE GROUP

"BUILDING OUTSIDE THE BOX"
2705 NORTH GATE CT.
CUMMING, GA 30041
PH: 770-887-2777
FX: 678-208-6189
MO: 770-709-8048
www.ccsimagegroup.com

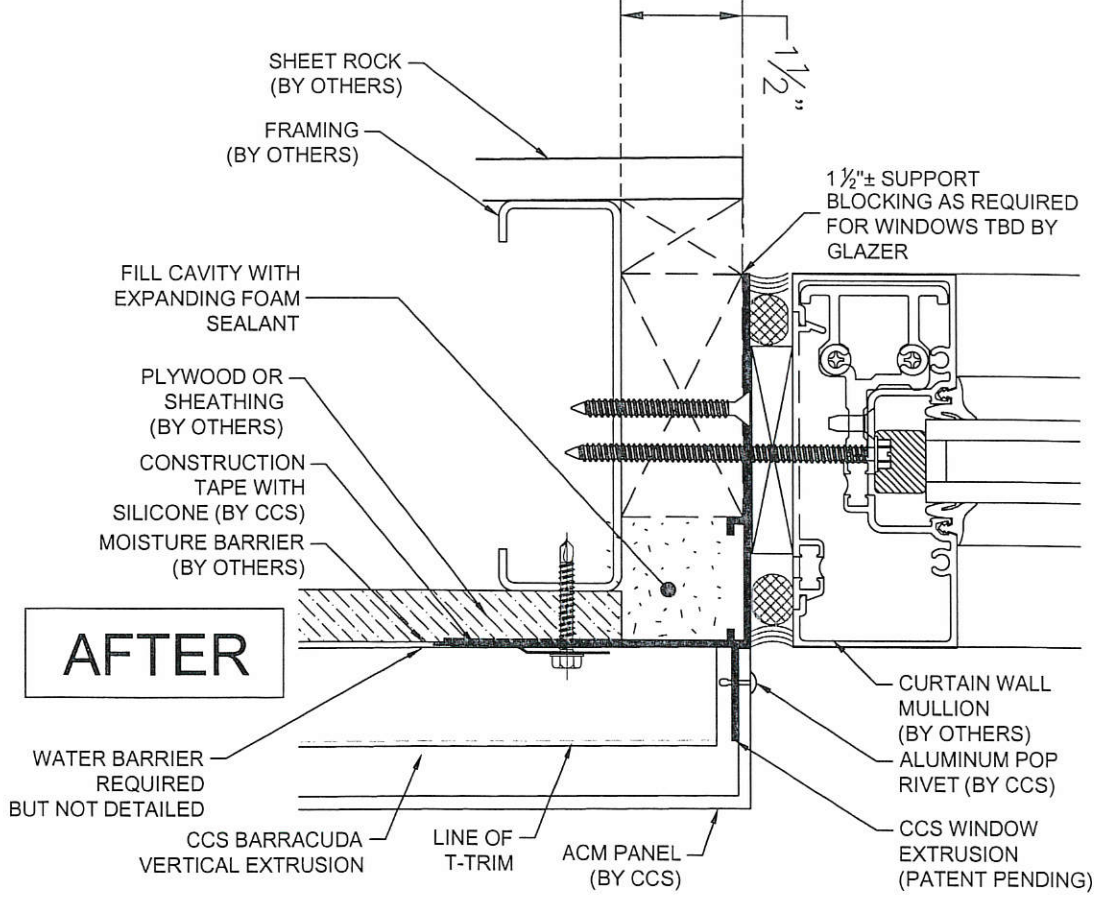
***ADDITIONAL BULLSEYE
ACM DETAILS***

D2.0

BEFORE



AFTER



STANDARD BULLSEYE INSTALLED DIRECTLY ON SHEATHING

US PATENTS 10,662,698 AND 10,982,483 ALONG WITH OTHER PATENTS PENDING
 © 2021 CLADDING AND COMPONENT SOLUTIONS, LLC. THE INFORMATION CONTAINED IN THIS DOCUMENT, BE IT IN PRINTED OR ELECTRONIC FORM, IS PROTECTED UNDER UNITED STATES COPYRIGHT LAWS. ALL RIGHTS ARE HEREBY RESERVED. CCS BARRACUDA AND CCS ECONO-CLAD ARE PROPRIETARY SYSTEMS AND ARE PROTECTED BY U.S. AND INTERNATIONAL PATENT LAWS

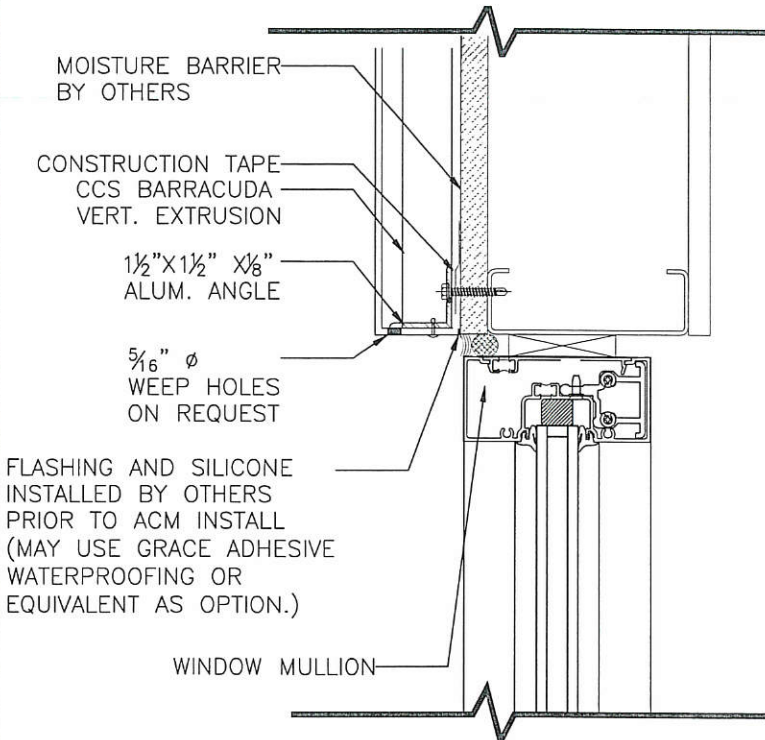


CCS IMAGE GROUP
 "BUILDING OUTSIDE THE BOX"
 2705 NORTH GATE CT.
 CUMMING, GA 30041
 PH: 770-887-2777
 FX: 678-208-6189
 MO: 770-709-8048
 www.ccsimagegroup.com

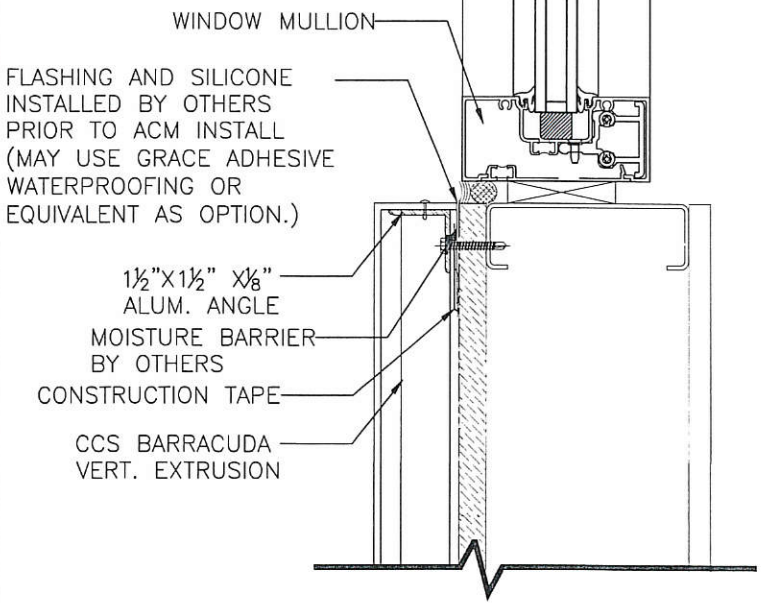
**STANDARD VS BULLSEYE
 BEFORE AND AFTER**

D2.1

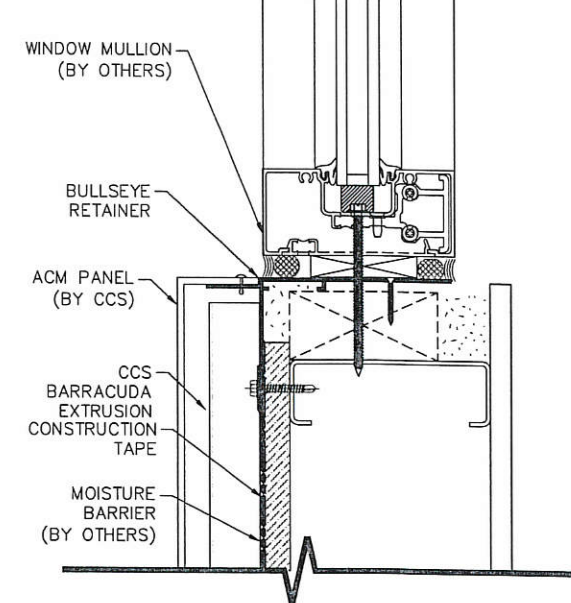
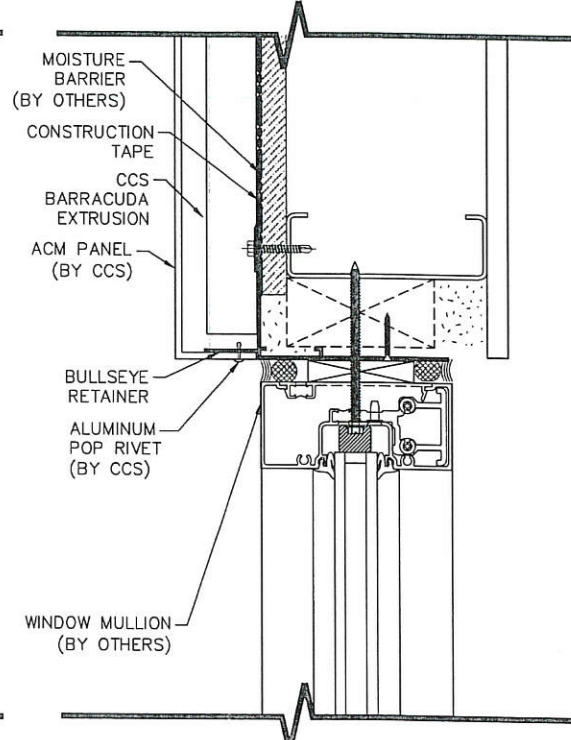
***STANDARD BULLSEYE
INSTALLED DIRECTLY
ON SHEATHING***



FLASHING AND SILICONE
INSTALLED BY OTHERS
PRIOR TO ACM INSTALL
(MAY USE GRACE ADHESIVE
WATERPROOFING OR
EQUIVALENT AS OPTION.)



FLASHING AND SILICONE
INSTALLED BY OTHERS
PRIOR TO ACM INSTALL
(MAY USE GRACE ADHESIVE
WATERPROOFING OR
EQUIVALENT AS OPTION.)



***STANDARD BULLSEYE
INSTALLED DIRECTLY
ON SHEATHING***

US PATENTS 10,662,698 AND 10,982,483 ALONG WITH OTHER PATENTS PENDING

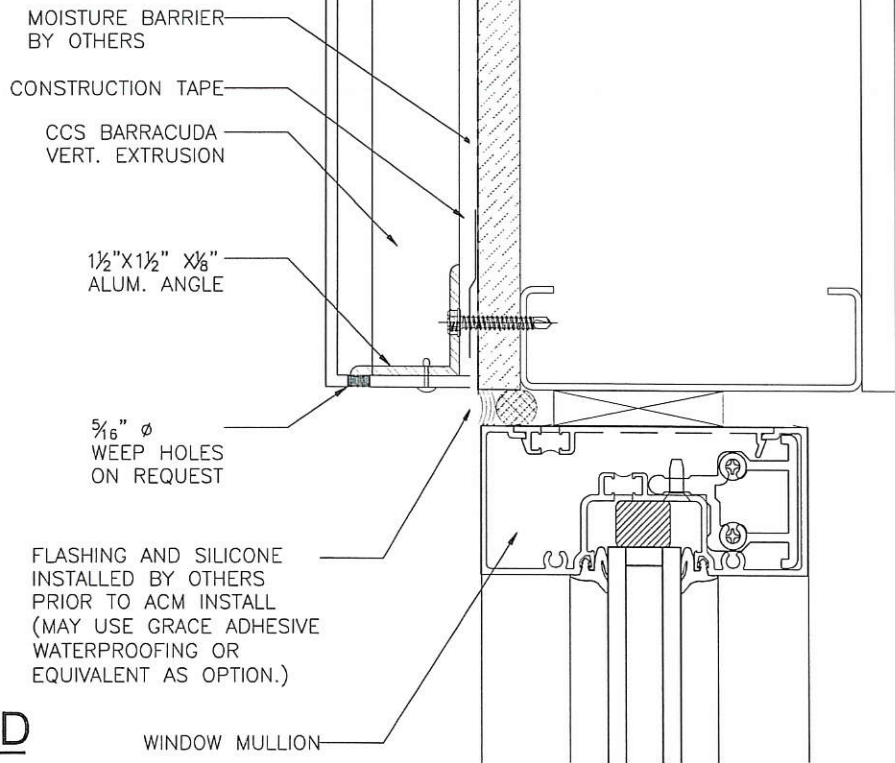
© 2021 CLADDING AND COMPONENT SOLUTIONS, LLC. THE INFORMATION CONTAINED IN THIS DOCUMENT, BE IT IN PRINTED OR ELECTRONIC FORM, IS PROTECTED UNDER UNITED STATES COPYRIGHT LAWS. ALL RIGHTS ARE HEREBY RESERVED. CCS BARRACUDA AND CCS ECONO-CLAD ARE PROPRIETARY SYSTEMS AND ARE PROTECTED BY U.S. AND INTERNATIONAL PATENT LAWS.



CCS IMAGE GROUP
"BUILDING OUTSIDE THE BOX"
2705 NORTH GATE CT.
CUMMING, GA 30041
PH: 770-887-2777
FX: 678-208-6189
MO: 770-709-8048
www.ccsimagegroup.com

STANDARD VS BULLSEYE WINDOW SECTIONS

D2.2



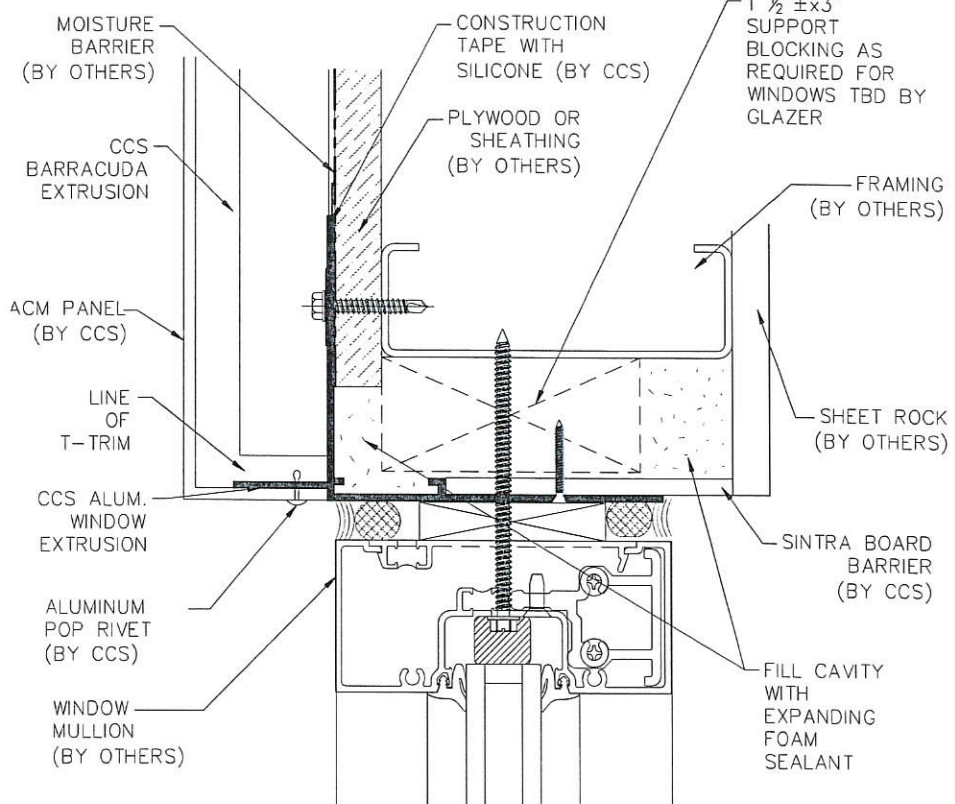
STANDARD

WINDOW MULLION

FLASHING AND SILICONE
INSTALLED BY OTHERS
PRIOR TO ACM INSTALL
(MAY USE GRACE ADHESIVE
WATERPROOFING OR
EQUIVALENT AS OPTION.)

1/2" x 1 1/2" x 5/8"
ALUM. ANGLE

5/16" Ø
WEEP HOLES
ON REQUEST



**WITH
BULLSEYE
RETAINER**

*STANDARD BULLSEYE
INSTALLED DIRECTLY
ON SHEATHING*

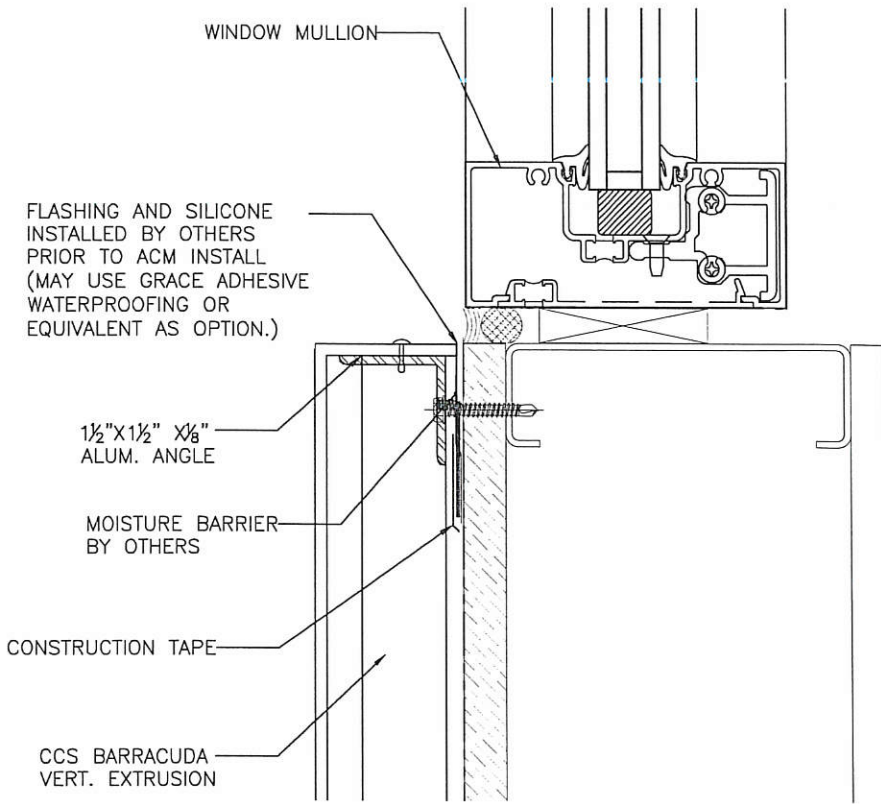
US PATENTS 10,662,698 AND 10,982,483 ALONG WITH OTHER PATENTS PENDING
© 2021 CLADDING AND COMPONENT SOLUTIONS, LLC. THE INFORMATION CONTAINED IN THIS DOCUMENT, BE IT IN PRINTED OR ELECTRONIC FORM, IS PROTECTED UNDER UNITED STATES COPYRIGHT LAWS. ALL RIGHTS ARE HEREBY RESERVED. CCS BARRACUDA AND CCS ECONO-CLAD ARE PROPRIETARY SYSTEMS AND ARE PROTECTED BY U.S. AND INTERNATIONAL PATENT LAWS



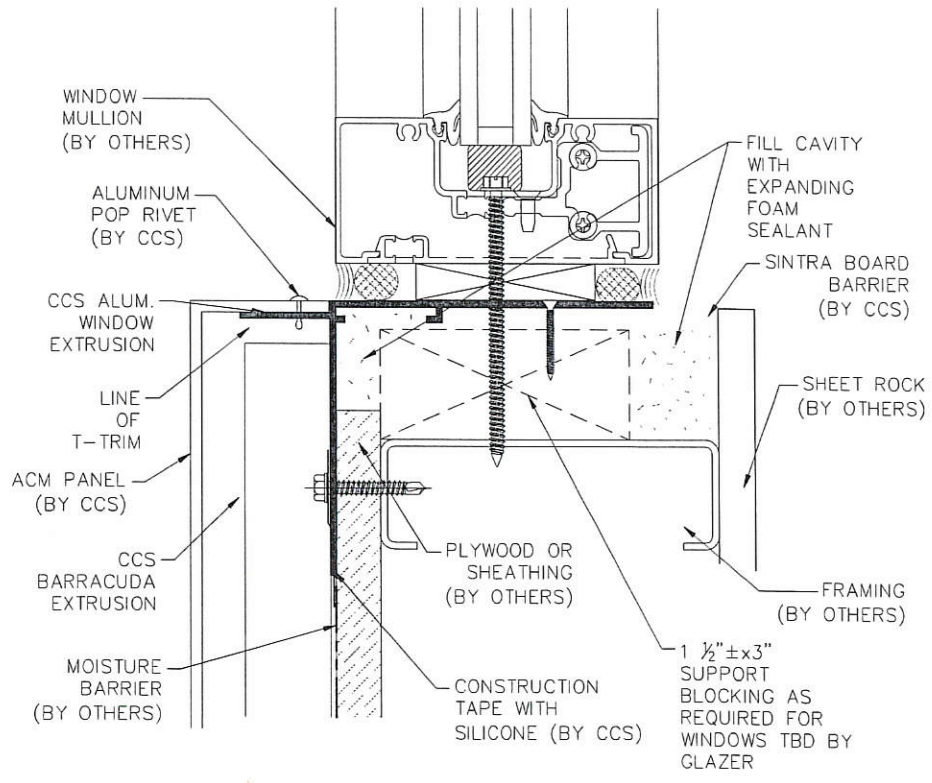
CCS IMAGE GROUP
"BUILDING OUTSIDE THE BOX"
2705 NORTH GATE CT.
CUMMING, GA 30041
PH: 770-887-2777
FX: 678-208-6189
MO: 770-709-8048
www.ccsimagegroup.com

**TOP OF WINDOW
ACM DETAIL**

D2.3



STANDARD



**WITH
BULLSEYE
RETAINER**

*STANDARD BULLSEYE
INSTALLED DIRECTLY
ON SHEATHING*

US PATENTS 10,662,698 AND 10,982,483 ALONG WITH OTHER PATENTS PENDING
© 2021 CLADDING AND COMPONENT SOLUTIONS, LLC. THE INFORMATION CONTAINED IN THIS DOCUMENT, BE IT IN PRINTED OR ELECTRONIC FORM, IS PROTECTED UNDER UNITED STATES COPYRIGHT
LAWS. ALL RIGHTS ARE HEREBY RESERVED. CCS BARRACUDA AND CCS ECONO-CLAD ARE PROPRIETARY SYSTEMS AND ARE PROTECTED BY U.S. AND INTERNATIONAL PATENT LAWS

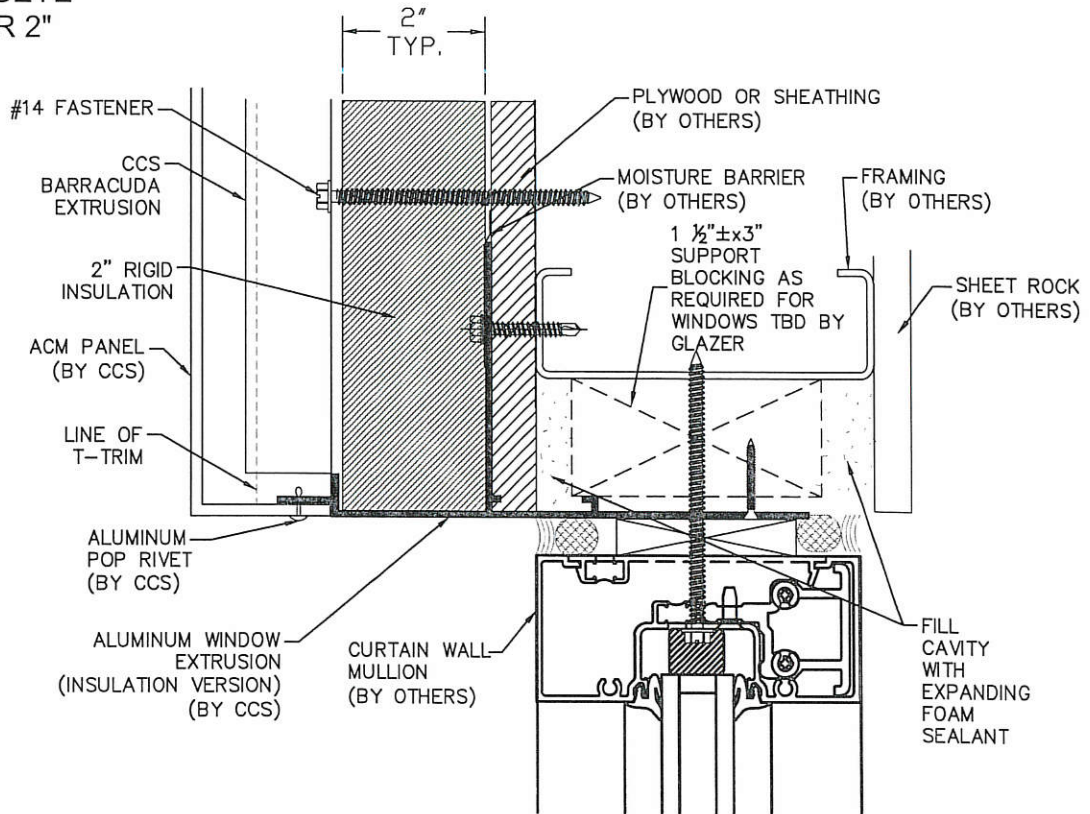


CCS IMAGE GROUP
"BUILDING OUTSIDE THE BOX"
2705 NORTH GATE CT.
CUMMING, GA 30041
PH: 770-887-2777
FX: 678-208-6189
MO: 770-709-8048
www.ccsimagegroup.com

**BOTTOM OF WINDOW
ACM DETAIL**

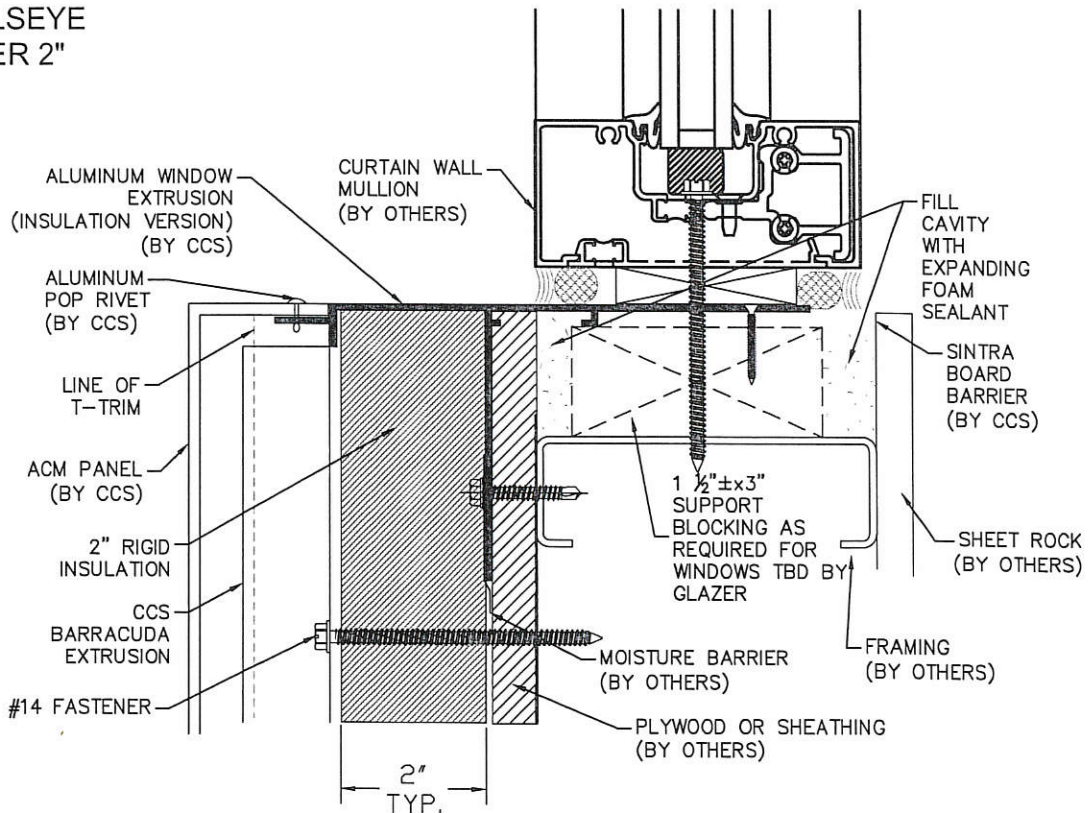
D2.4

***MODIFIED BULLSEYE
INSTALLED OVER 2"
INSULATION***



**HEAD WITH
BULLSEYE
RETAINER**

***MODIFIED BULLSEYE
INSTALLED OVER 2"
INSULATION***



**SILL WITH
BULLSEYE
RETAINER**

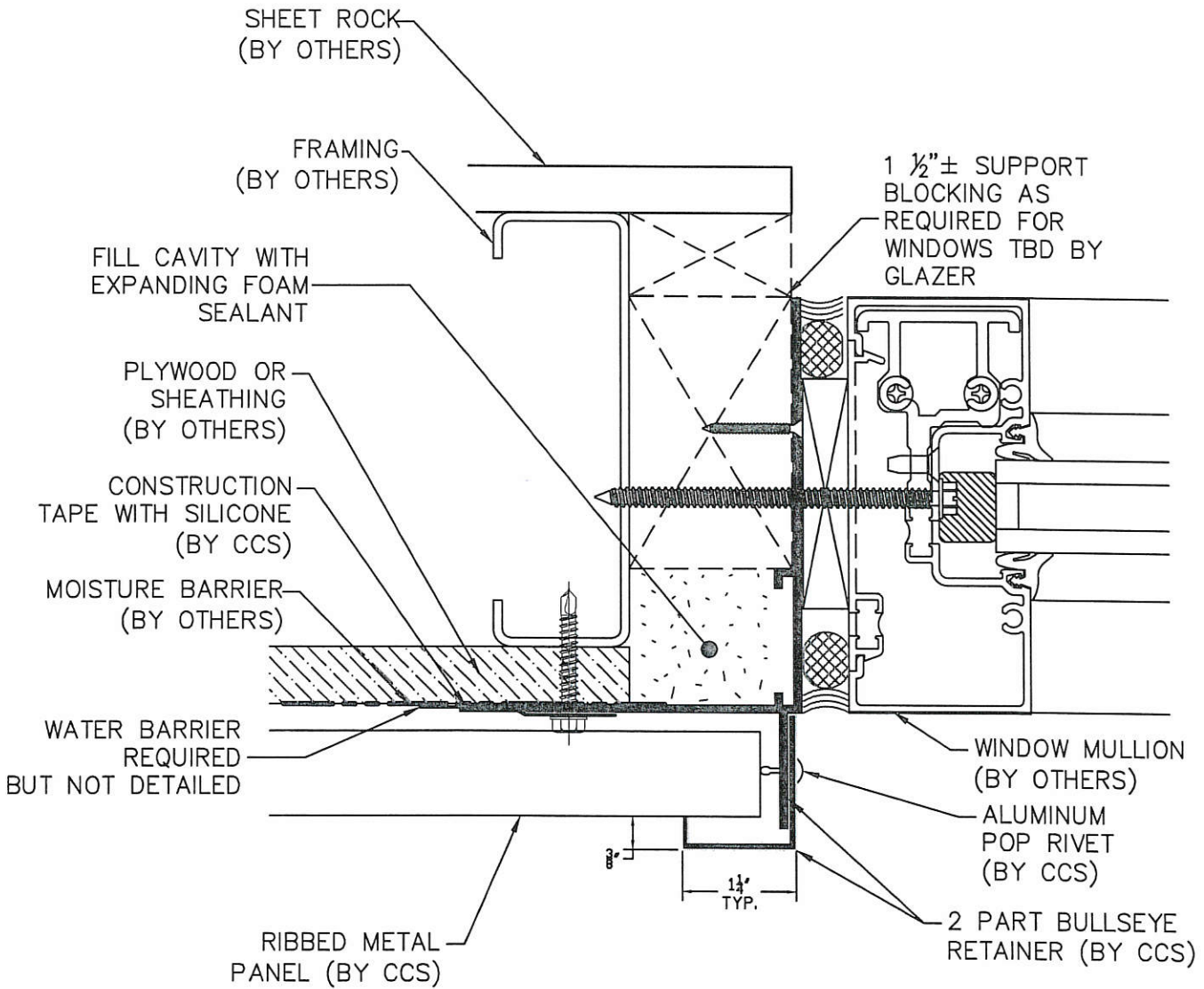
US PATENTS 10,662,698 AND 10,982,483 ALONG WITH OTHER PATENTS PENDING
© 2021 CLADDING AND COMPONENT SOLUTIONS, LLC. THE INFORMATION CONTAINED IN THIS DOCUMENT, BE IT IN PRINTED OR ELECTRONIC FORM, IS PROTECTED UNDER UNITED STATES COPYRIGHT LAWS. ALL RIGHTS ARE HEREBY RESERVED. CCS BARRACUDA AND CCS ECONO-CLAD ARE PROPRIETARY SYSTEMS AND ARE PROTECTED BY U.S. AND INTERNATIONAL PATENT LAWS



CCS IMAGE GROUP
"BUILDING OUTSIDE THE BOX"
2705 NORTH GATE CT.
CLUMMING, GA 30041
PH: 770-887-2777
FX: 678-208-6189
MO: 770-709-8048
www.ccsimagegroup.com

**BULLSEYE DETAILS
WITH 2"
INSULATION**

D2.5



*STANDARD BULLSEYE
 INSTALLED DIRECTLY
 ON SHEATHING*

US PATENTS 10,662,698 AND 10,982,483 ALONG WITH OTHER PATENTS PENDING
 © 2021 CLADDING AND COMPONENT SOLUTIONS, LLC. THE INFORMATION CONTAINED IN THIS DOCUMENT, BE IT IN PRINTED OR ELECTRONIC FORM, IS PROTECTED UNDER UNITED STATES COPYRIGHT
 LAWS. ALL RIGHTS ARE HEREBY RESERVED. CCS BARRACUDA AND CCS ECONO-CLAD ARE PROPRIETARY SYSTEMS AND ARE PROTECTED BY U.S. AND INTERNATIONAL PATENT LAWS

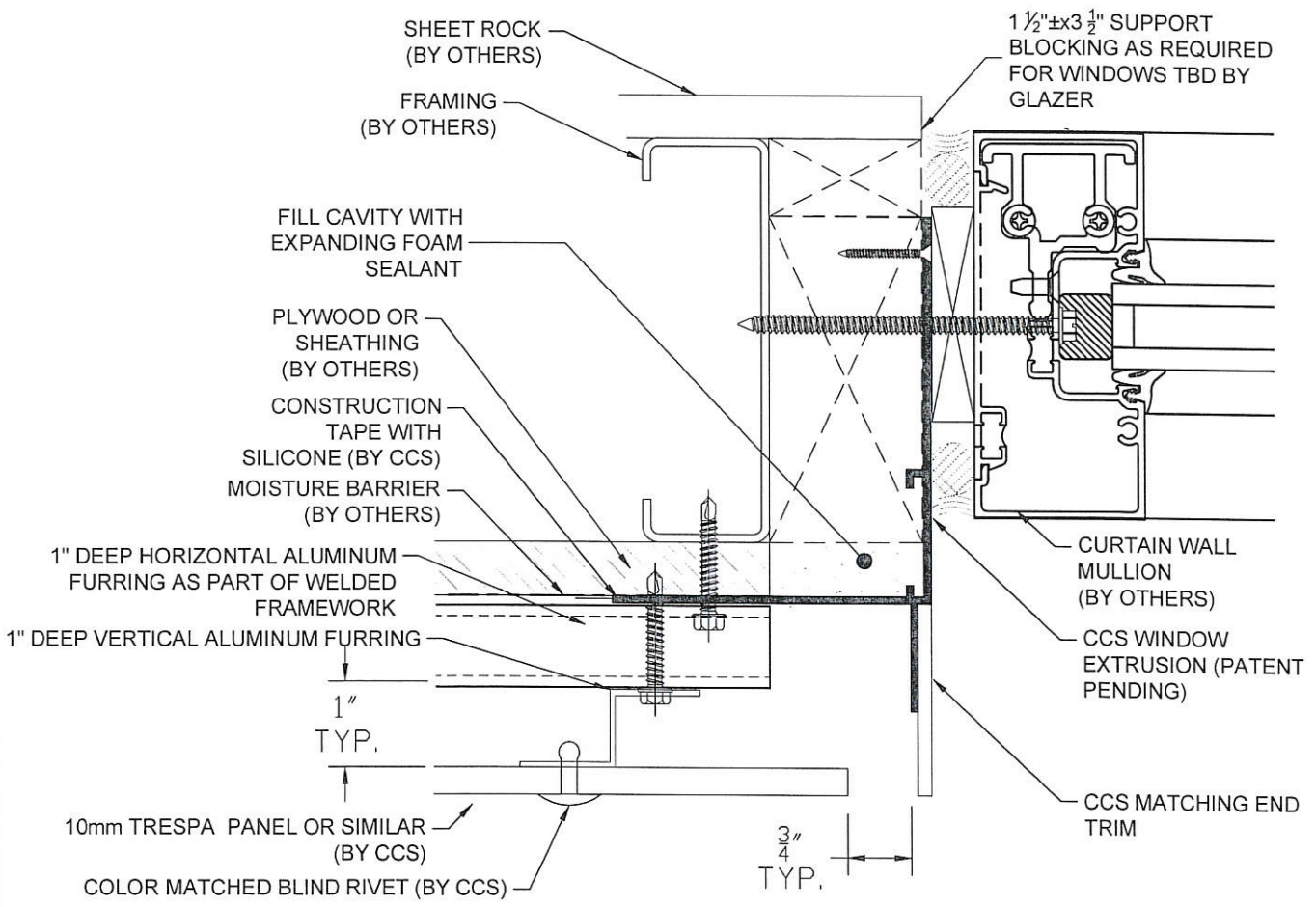


CCS IMAGE GROUP
 "BUILDING OUTSIDE THE BOX"
 2705 NORTH GATE CT.
 CUMMING, GA 30041
 PH: 770-887-2777
 FX: 678-208-6189
 MO: 770-709-8048
 www.ccsimagegroup.com

**BULLSEYE JAMB
 DETAIL - RIB PANEL**

D2.6

US PATENT 10,662,698 AND OTHER PATENTS PENDING
 © 2021 CLADDING AND COMPONENT SOLUTIONS, LLC. THE INFORMATION CONTAINED IN THIS DOCUMENT, BE IT IN PRINTED OR ELECTRONIC FORM, IS PROTECTED UNDER UNITED STATES COPYRIGHT LAWS. ALL RIGHTS ARE HEREBY RESERVED. CCS BARRACUDA AND CCS ECONO-CLAD ARE PROPRIETARY SYSTEMS AND ARE PROTECTED BY U.S. AND INTERNATIONAL PATENT LAWS.



*STANDARD BULLSEYE
 INSTALLED DIRECTLY
 ON SHEATHING*



CCS IMAGE GROUP
 "BUILDING OUTSIDE THE BOX"
 2705 NORTH GATE CT.
 CUMMING, GA 30041
 PH: 770-887-2777
 FX: 678-208-6189
 MO: 770-709-8048
 www.ccsimagegroup.com

BULLSEYE JAMB DETAIL - VENTILATED PANELS

D2.7