



CCS IMAGE GROUP

"BUILDING OUTSIDE THE BOX"

STANDARD DETAILS

ACM WALL SECTIONS

© 2014 CLADDING AND COMPONENT SOLUTIONS, LLC. THE INFORMATION CONTAINED IN THIS DOCUMENT, BE IT IN PRINTED OR ELECTRONIC FORM, IS PROTECTED UNDER UNITED STATES COPYRIGHT LAWS. ALL RIGHTS ARE HEREBY RESERVED. CCS BARRACUDA AND CCS ECONO-CLAD ARE PROPRIETARY SYSTEMS AND ARE PROTECTED BY U.S. AND INTERNATIONAL PATENT LAWS



CCS IMAGE GROUP

"BUILDING OUTSIDE THE BOX"

2705 NORTH GATE CT.
CUMMING, GA 30041

PH: 770-887-2777

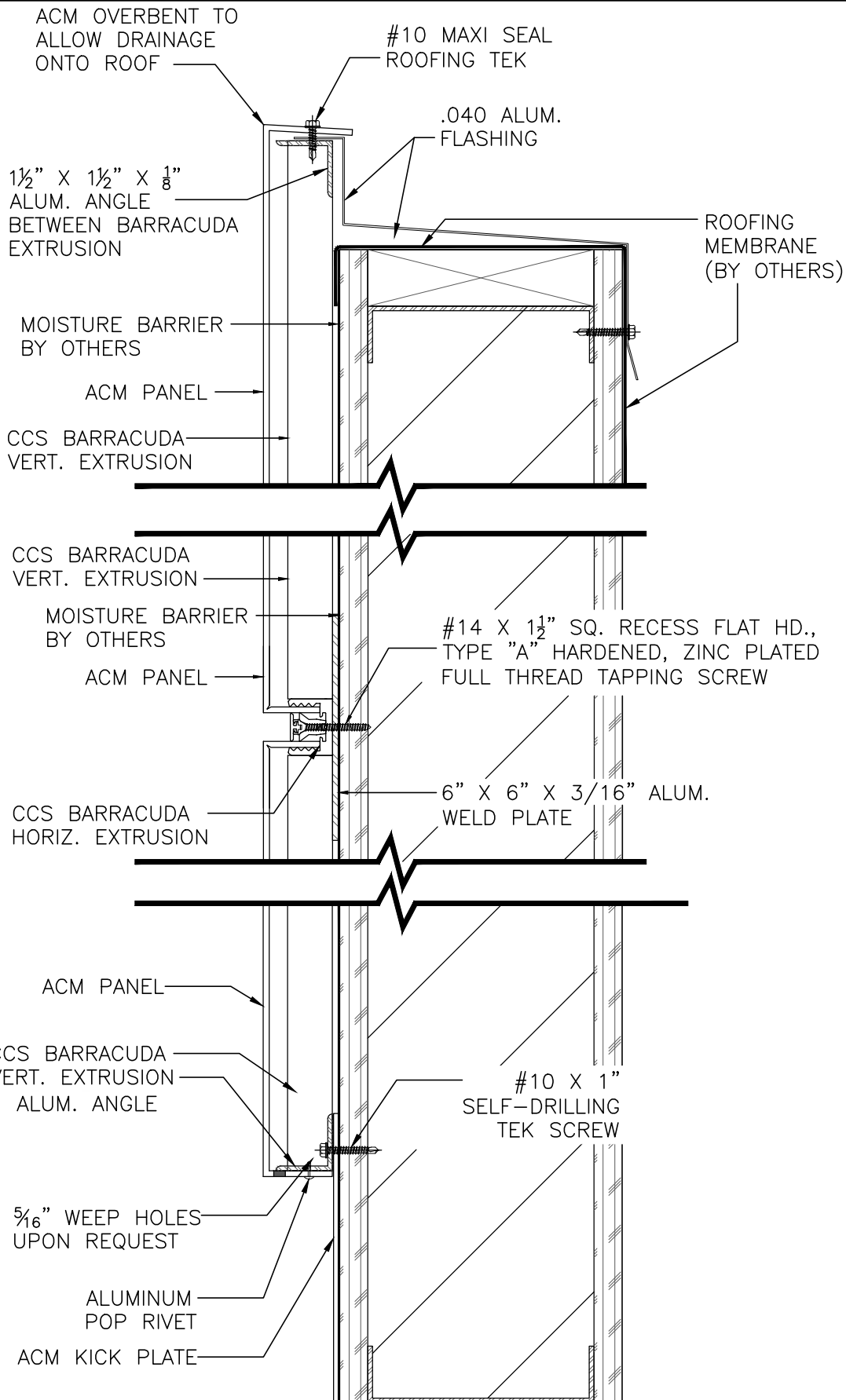
FX: 678-208-6189

MO: 770-709-8048

www.ccsimagegroup.com

STANDARD DETAILS
ACM WALL SECTIONS

D1.0



© 2014 CLADDING AND COMPONENT SOLUTIONS, LLC. THE INFORMATION CONTAINED IN THIS DOCUMENT, BE IT IN PRINTED OR ELECTRONIC FORM, IS PROTECTED UNDER UNITED STATES COPYRIGHT LAWS. ALL RIGHTS ARE HEREBY RESERVED. CCS BARRACUDA AND CCS ECONO-CLAD ARE PROPRIETARY SYSTEMS AND ARE PROTECTED BY U.S. AND INTERNATIONAL PATENT LAWS



CCS IMAGE GROUP

"BUILDING OUTSIDE THE BOX"
 2705 NORTH GATE CT.
 CUMMING, GA 30041
 PH: 770-887-2777
 FX: 678-208-6189
 MO: 770-709-8048
 www.ccsimagegroup.com

STANDARD ACM WALL SECTIONS

D1.1

ACM OVERBENT TO
ALLOW DRAINAGE
ONTO ROOF

#10 MAXI SEAL ROOFING TEK

1½" X 1½" X ⅛"
ALUM. ANGLE
BETWEEN
BARRACUDA
EXTRUSION

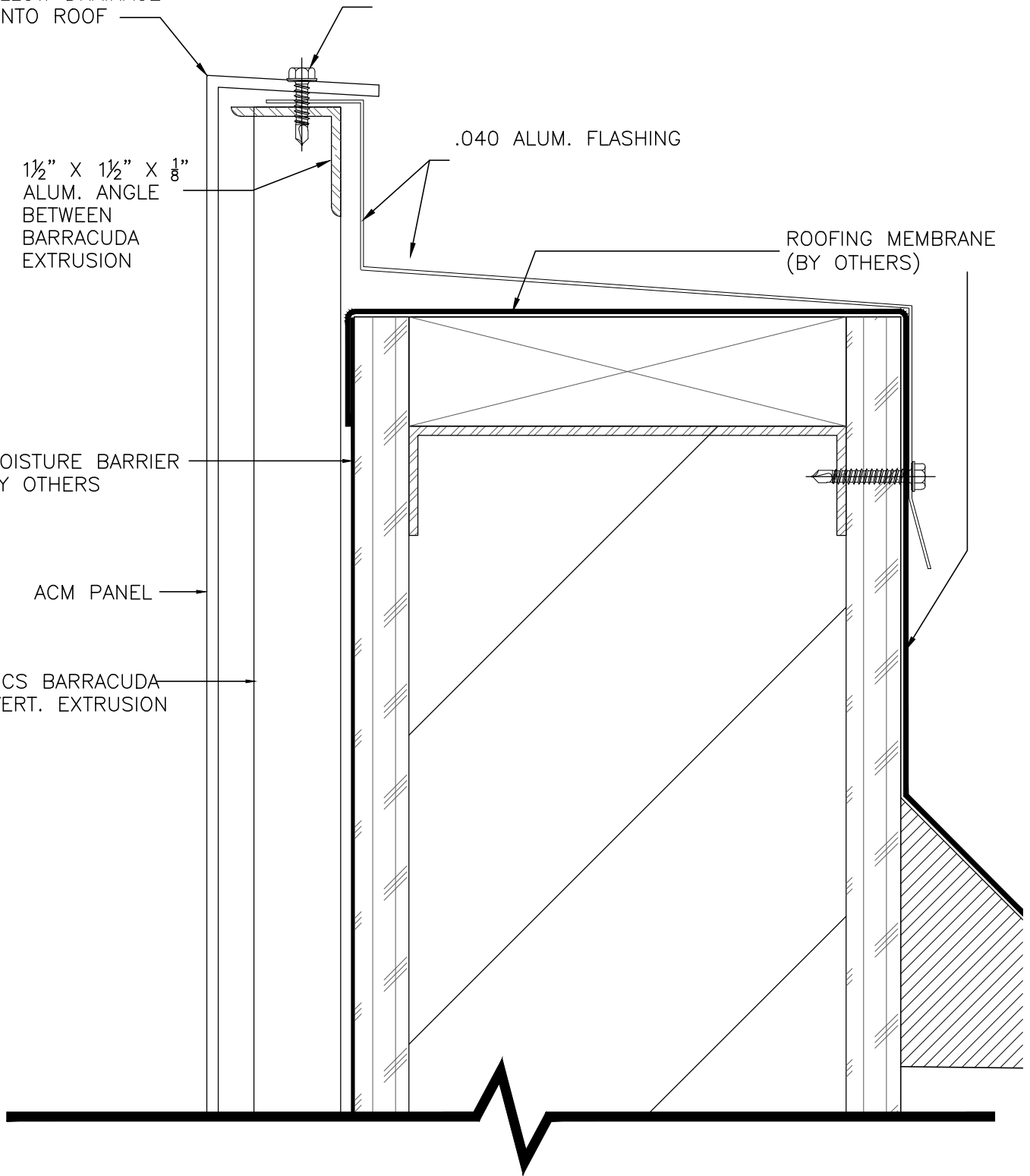
.040 ALUM. FLASHING

ROOFING MEMBRANE
(BY OTHERS)

MOISTURE BARRIER
BY OTHERS

ACM PANEL

CCS BARRACUDA
VERT. EXTRUSION



© 2014 CLADDING AND COMPONENT SOLUTIONS, LLC. THE INFORMATION CONTAINED IN THIS DOCUMENT, BE IT IN PRINTED OR ELECTRONIC FORM, IS PROTECTED UNDER UNITED STATES COPYRIGHT LAWS. ALL RIGHTS ARE HEREBY RESERVED. CCS BARRACUDA AND CCS ECONO-CLAD ARE PROPRIETARY SYSTEMS AND ARE PROTECTED BY U.S. AND INTERNATIONAL PATENT LAWS

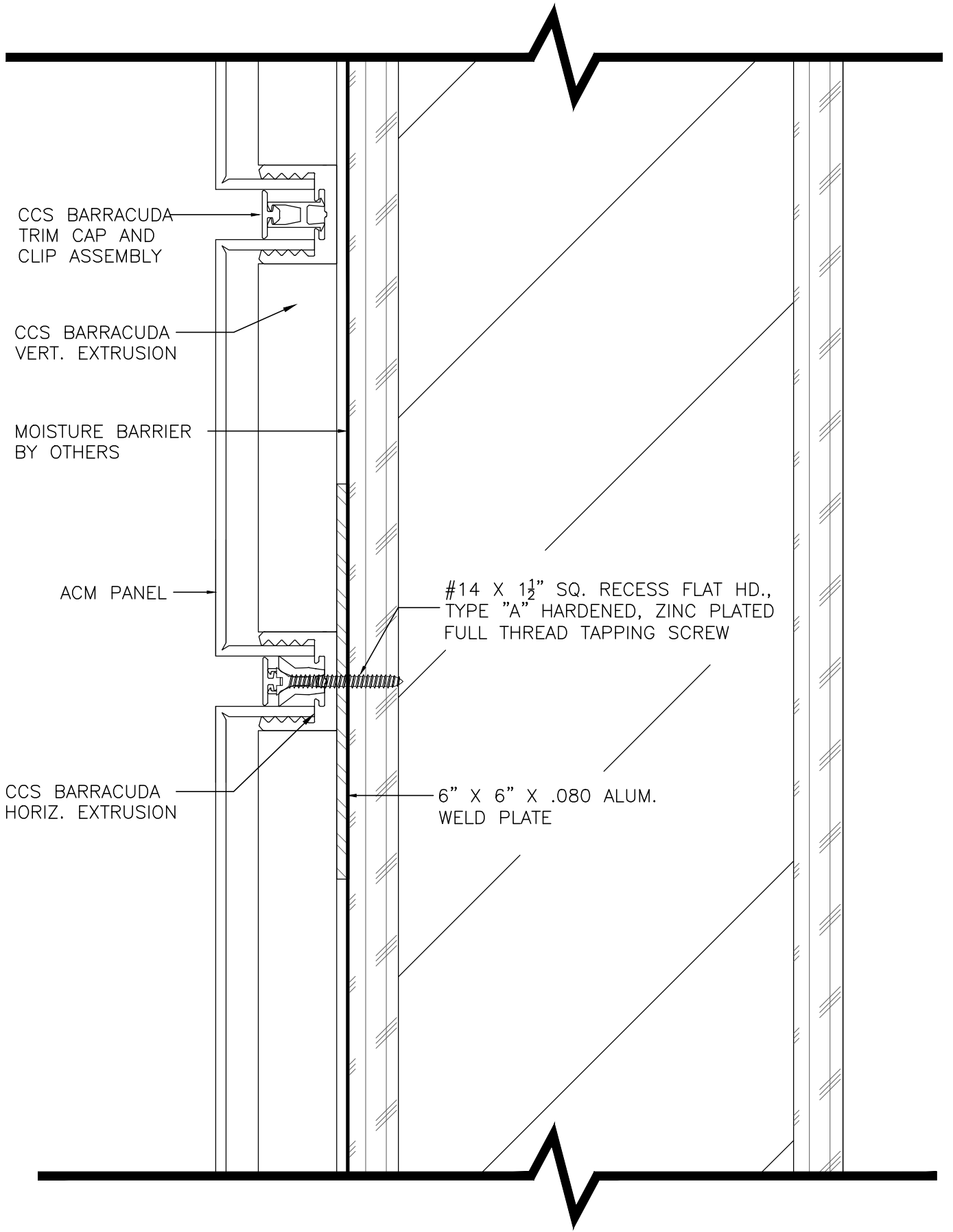


CCS IMAGE GROUP

"BUILDING OUTSIDE THE BOX"
2705 NORTH GATE CT.
CUMMING, GA 30041
PH: 770-887-2777
FX: 678-208-6189
MO: 770-709-8048
www.ccsimagegroup.com

ACM FLASHING DETAIL

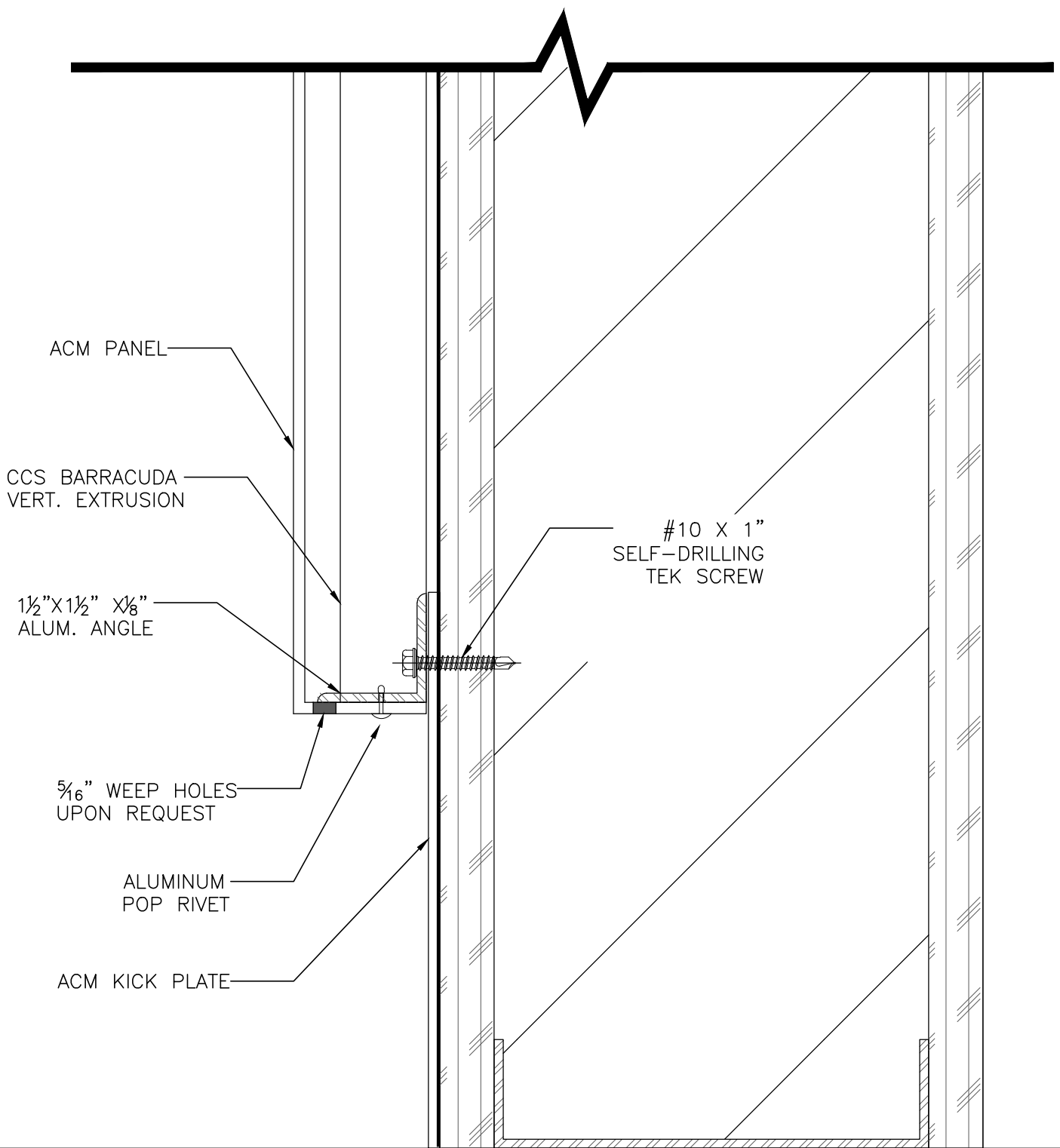
D1.2



CCS IMAGE GROUP
"BUILDING OUTSIDE THE BOX"
2705 NORTH GATE CT.
CUMMING, GA 30041
PH: 770-887-2777
FX: 678-208-6189
MO: 770-709-8048
www.ccsimagegroup.com

ACM AND JOINT DETAILS

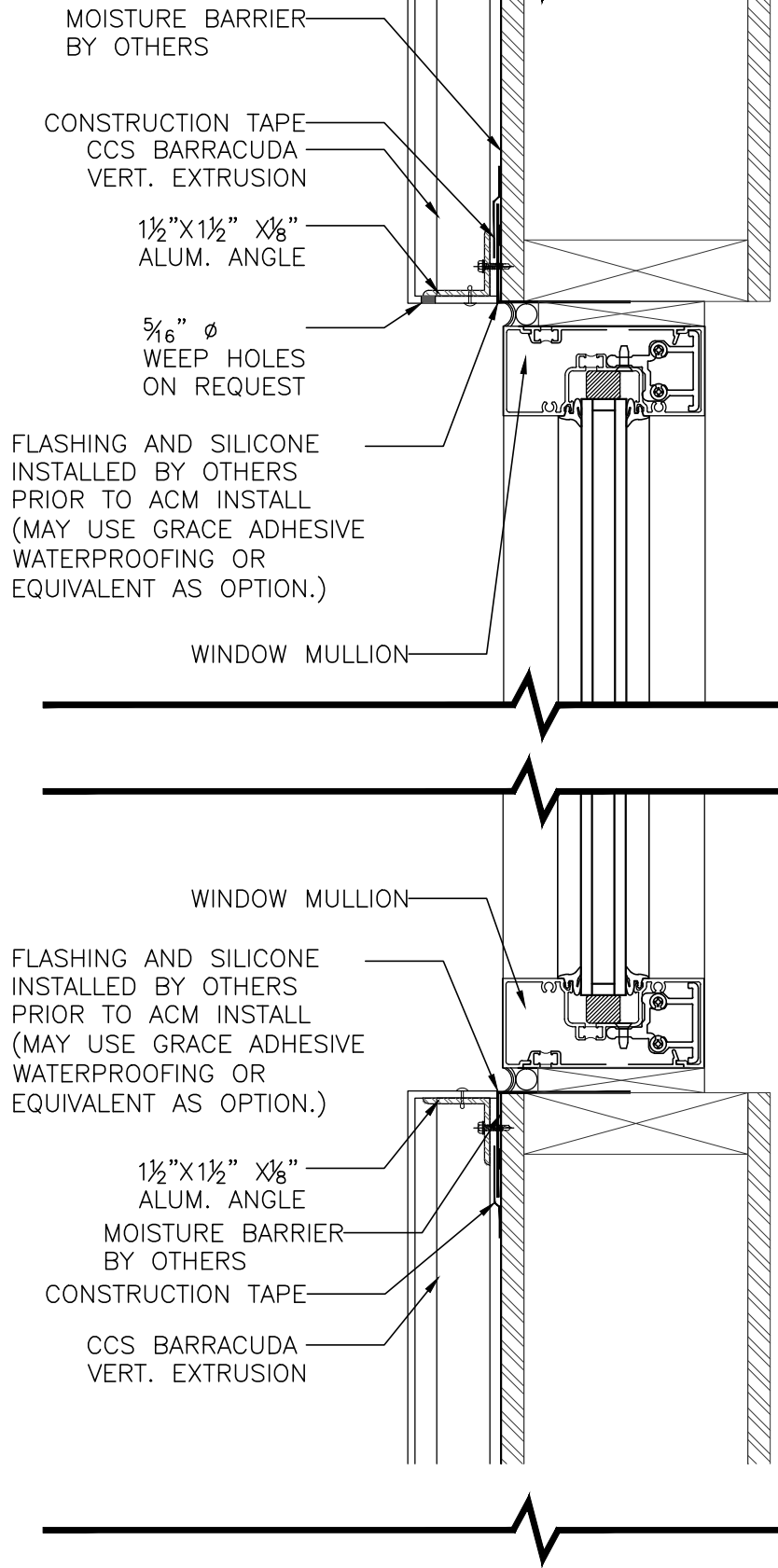
D1.3



CCS IMAGE GROUP
"BUILDING OUTSIDE THE BOX"
2705 NORTH GATE CT.
CUMMING, GA 30041
PH: 770-887-2777
FX: 678-208-6189
MO: 770-709-8048
www.ccsimagegroup.com

ACM KICK PLATE DETAIL

D1.4



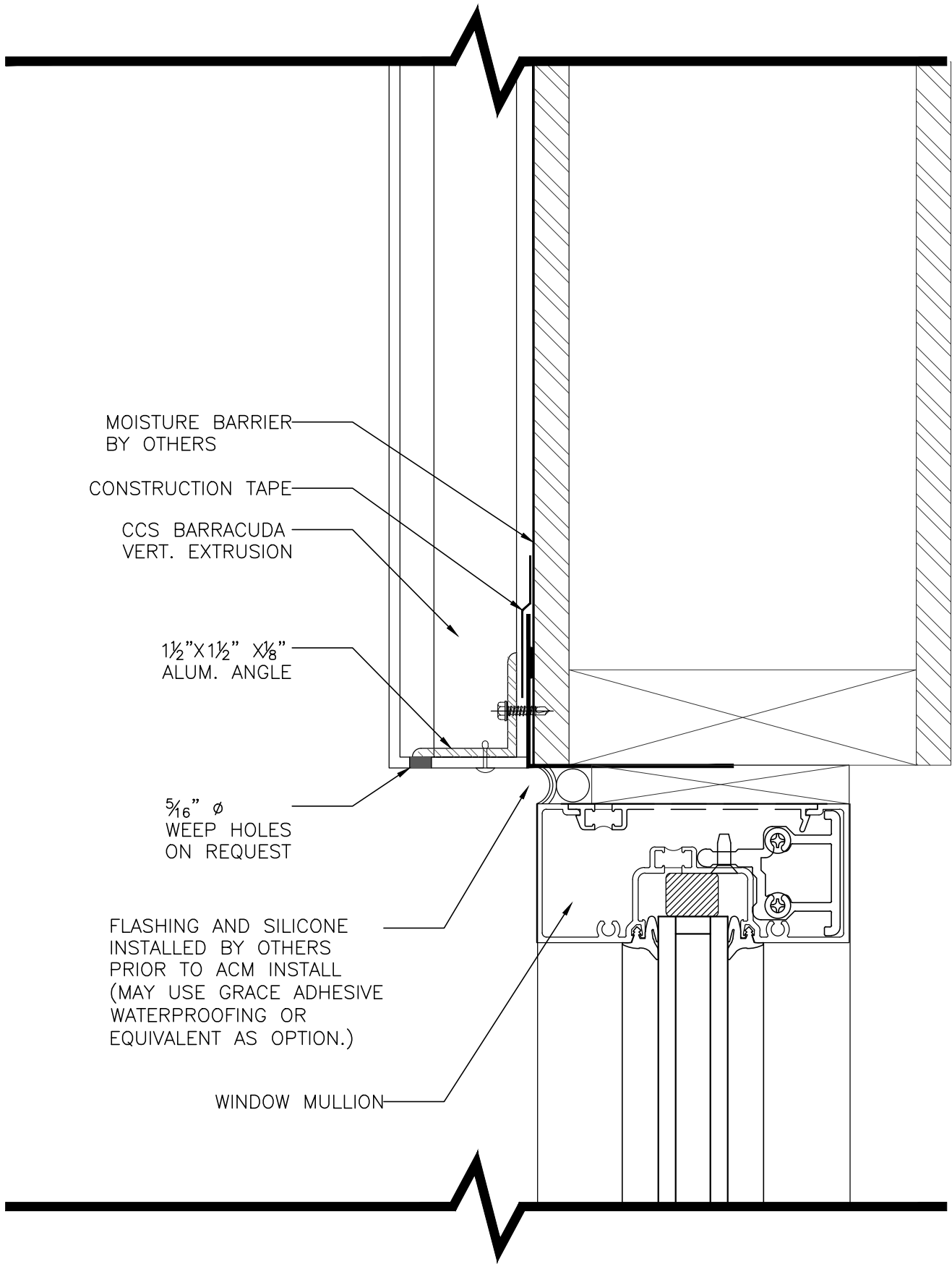
© 2014 CLADDING AND COMPONENT SOLUTIONS, LLC. THE INFORMATION CONTAINED IN THIS DOCUMENT, BE IT IN PRINTED OR ELECTRONIC FORM, IS PROTECTED UNDER UNITED STATES COPYRIGHT LAWS. ALL RIGHTS ARE HEREBY RESERVED. CCS BARRACUDA AND CCS ECONO-CLAD ARE PROPRIETARY SYSTEMS AND ARE PROTECTED BY U.S. AND INTERNATIONAL PATENT LAWS



CCS IMAGE GROUP
 "BUILDING OUTSIDE THE BOX"
 2705 NORTH GATE CT.
 CUMMING, GA 30041
 PH: 770-887-2777
 FX: 678-208-6189
 MO: 770-709-8048
 www.ccsimagegroup.com

STANDARD ACM WINDOW SECTIONS

D1.5



© 2014 CLADDING AND COMPONENT SOLUTIONS, LLC. THE INFORMATION CONTAINED IN THIS DOCUMENT, BE IT IN PRINTED OR ELECTRONIC FORM, IS PROTECTED UNDER UNITED STATES COPYRIGHT LAWS. ALL RIGHTS ARE HEREBY RESERVED. CCS BARRACUDA AND CCS ECONO-CLAD ARE PROPRIETARY SYSTEMS AND ARE PROTECTED BY U.S. AND INTERNATIONAL PATENT LAWS

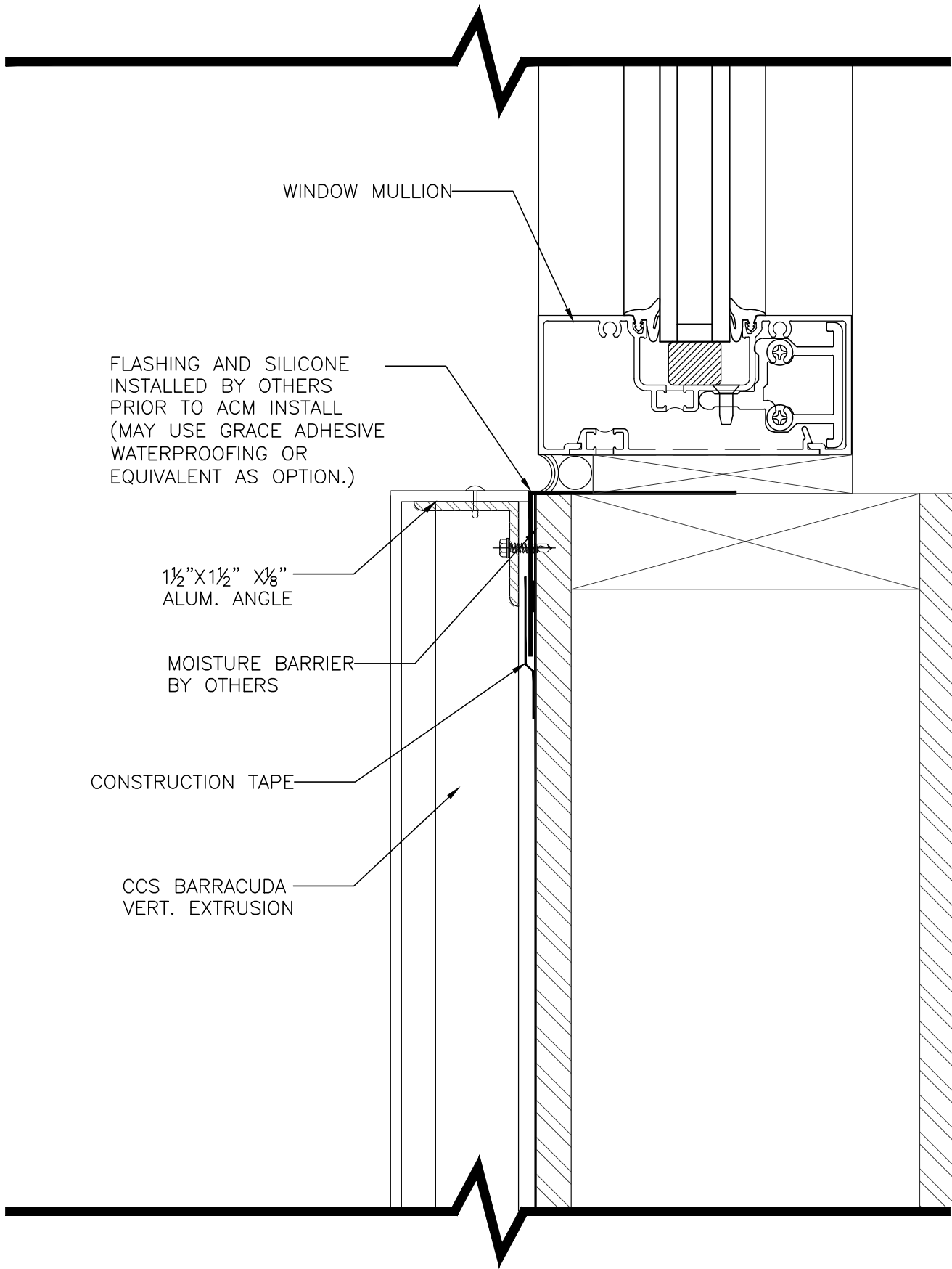


CCS IMAGE GROUP

"BUILDING OUTSIDE THE BOX"
2705 NORTH GATE CT.
CUMMING, GA 30041
PH: 770-887-2777
FX: 678-208-6189
MO: 770-709-8048
www.ccsimagegroup.com

TOP OF WINDOW ACM DETAIL

D1.6



WINDOW MULLION

FLASHING AND SILICONE
INSTALLED BY OTHERS
PRIOR TO ACM INSTALL
(MAY USE GRACE ADHESIVE
WATERPROOFING OR
EQUIVALENT AS OPTION.)

1 1/2" X 1 1/2" X 1/8"
ALUM. ANGLE

MOISTURE BARRIER
BY OTHERS

CONSTRUCTION TAPE

CCS BARRACUDA
VERT. EXTRUSION

© 2014 CLADDING AND COMPONENT SOLUTIONS, LLC. THE INFORMATION CONTAINED IN THIS DOCUMENT, BE IT IN PRINTED OR ELECTRONIC FORM, IS PROTECTED UNDER UNITED STATES COPYRIGHT LAWS. ALL RIGHTS ARE HEREBY RESERVED. CCS BARRACUDA AND CCS ECONO-CLAD ARE PROPRIETARY SYSTEMS AND ARE PROTECTED BY U.S. AND INTERNATIONAL PATENT LAWS



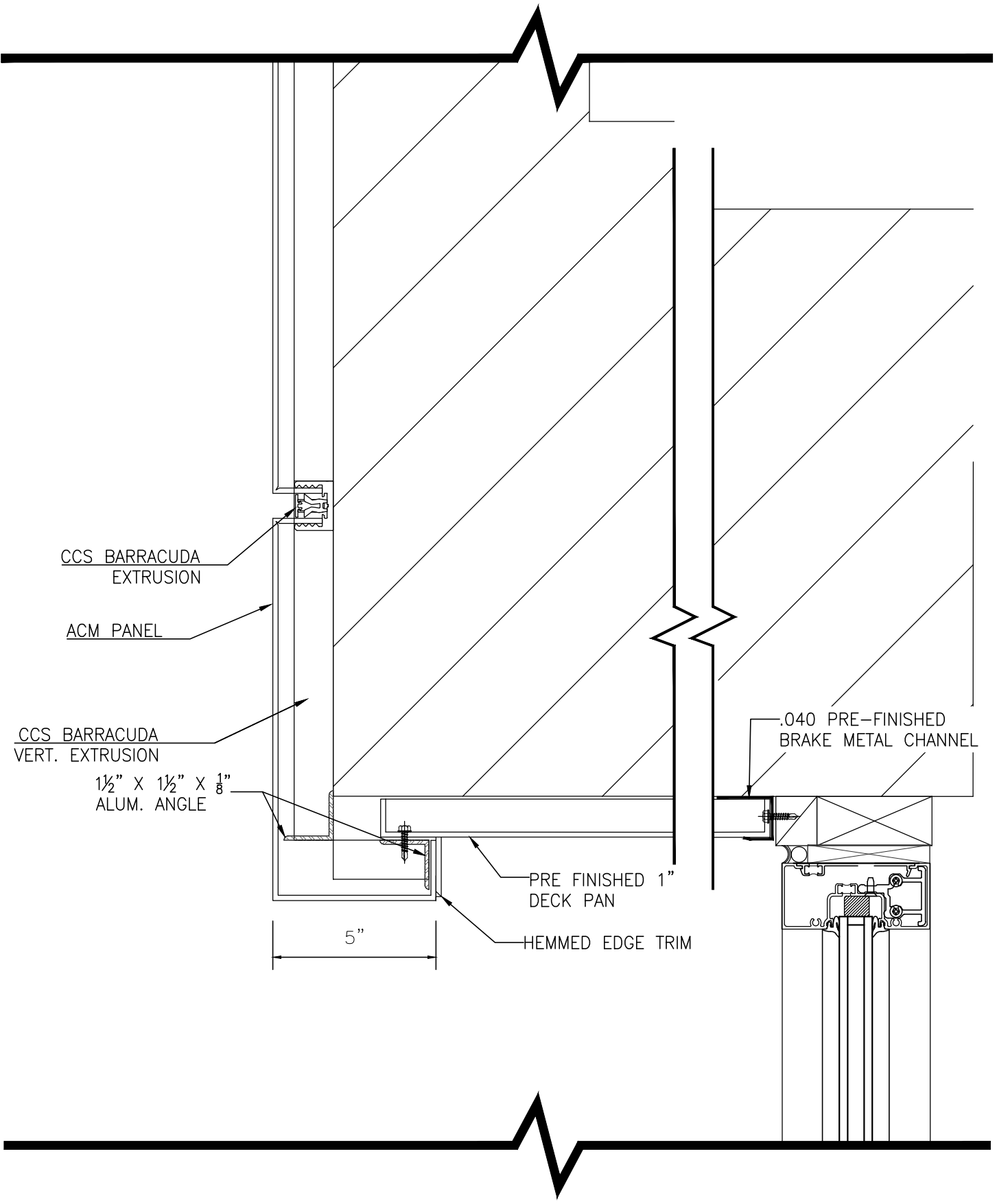
CCS IMAGE GROUP

"BUILDING OUTSIDE THE BOX"
2705 NORTH GATE CT.
CUMMING, GA 30041
PH: 770-887-2777
FX: 678-208-6189
MO: 770-709-8048
www.ccsimagegroup.com

***BOTTOM OF WINDOW
ACM DETAIL***

D1.7

© 2014 CLADDING AND COMPONENT SOLUTIONS, LLC. THE INFORMATION CONTAINED IN THIS DOCUMENT, BE IT IN PRINTED OR ELECTRONIC FORM, IS PROTECTED UNDER UNITED STATES COPYRIGHT LAWS. ALL RIGHTS ARE HEREBY RESERVED. CCS BARRACUDA AND CCS ECONO-CLAD ARE PROPRIETARY SYSTEMS AND ARE PROTECTED BY U.S. AND INTERNATIONAL PATENT LAWS



CCS IMAGE GROUP
"BUILDING OUTSIDE THE BOX"
2705 NORTH GATE CT.
CUMMING, GA 30041
PH: 770-887-2777
FX: 678-208-6189
MO: 770-709-8048
www.ccsimagegroup.com

ACM SOFFIT WITH DECK PAN

D1.8